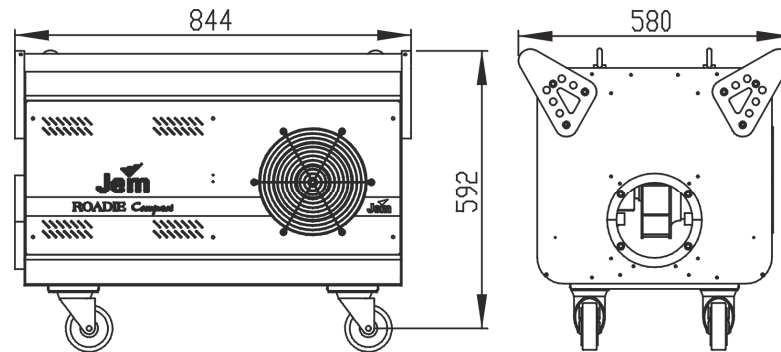


Specifications



Physical

| | |
|------------------|-------|
| Length | 844mm |
| Width | 580mm |
| Height..... | 592mm |
| Dry weight | 80kg |

Performance

| | |
|----------------------------|--------------------------------|
| Air volume of effect | 1490m ³ /hour |
| Exit velocity | 12.7m/sec (2500ft/min) |
| Operating time | Continuous |
| Warm-up time..... | 9 minutes (EU)/12 minutes (US) |

Control and programming

| | |
|-----------------------|---|
| Control options | DMX, stand-alone, Jem Remote Control (not included) |
| DMX channels | 2 |

Fluid system

| | |
|--|------------------|
| Fluid pumps | 16 bar |
| Fluid capacity | 9.5 litres |
| Maximum fluid consumption at peak output | 220ml per minute |

Installation

| | |
|------------------|------------------------|
| Orientation..... | Horizontal or vertical |
|------------------|------------------------|

Connections

| | |
|---------------------|---------------------|
| DMX..... | 3 and 5 pin XLR |
| Remote control..... | 3 pin XLR |
| AC power | Captive power cable |

Electrical

| | |
|--|-------------------|
| AC power (auto voltage/frequency adjust) | 208-250V, 50/60Hz |
| Main fuse..... | 15AT (slow-blow) |

Power and current

| | |
|----------------------------|--------------|
| Maximum at 230V 50Hz | 3000W, 13A |
| Maximum at 208V 60Hz | 2450W, 11.8A |

Thermal

| | |
|---|--------------|
| Maximum ambient temperature (Ta max)..... | 40°C (104°F) |
|---|--------------|

Exterior surface temperature, steady state 40°C (104°F)

Approvals

European EMC:..... EN 61000-6-3:2001 – Part 6-3

European safety: EN 60 335-1:2002

Immunity: EN 61000-6-1:2001 – Part6-1

Included items

1 x 9.5 litre fluid container (empty)

Accessories

Roadie Compact remote control.....P/N 92765031

Roadie Compact ducting kitP/N 92625010

Ordering information

Jem Roadie Compact 208V-230V 50/60HzP/N 92230500